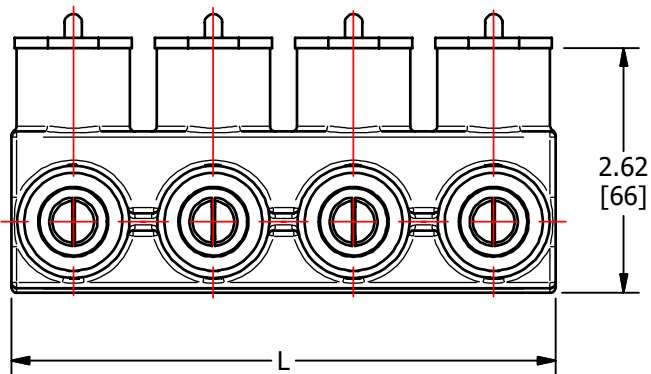
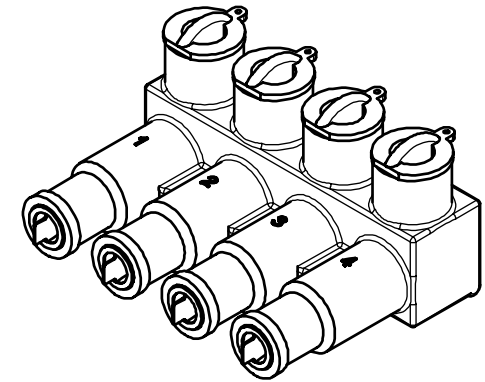
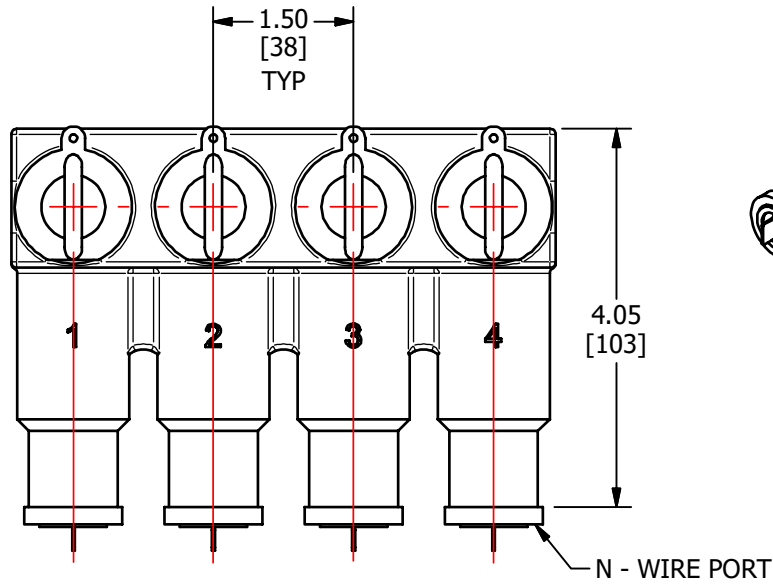


S.NO	CATALOG NUMBER	L	N
1	SSBC350-3L	4.33 [110]	3
2	SSBC350-4L	5.83 [5.83]	4
3	SSBC350-4LI	5.83 [148]	4
4	SSBC350-5L	7.33 [186]	5
5	SSBC350-5LI	7.33 [186]	5
6	SSBC350-6L	8.83 [224]	6
7	SSBC350-6LI	8.83 [224]	6
8	SSBC350-8LI	11.83 [300]	8



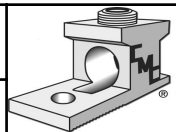
INSULATION MATERIAL: EPDM RUBBER
CONNECTOR MATERIAL: ALUMINUM
CONDUCTOR RANGE: 350 KCMIL-12

					TO ORDER CMC PRODUCTS	DRAWN BY: TS	NAME OF PART:	CAT. NO.:
					UNITED STATES 1-513-860-4455	01-24-20	SURE SEAL BAR CONNECTOR	SEE TABLE
					CANADA 1-800-361-6975	CHECKED BY:	DWG NO:	A
					MEXICO 011-52-722-265-4400	U22700000-S (CHARTED)		
A	NEW DRAWING CREATED		01-24-20	TS	FOR PRODUCT INFO www.cmcugs.com	DRAWING NOT TO SCALE		SHEET NO: 1 OF 1
REV.	DESCRIPTION	ECN	DATE	INIT.				

THIS INFORMATION IS PROPRIETARY TO CONNECTOR MFG. CO. AND IS NOT TO BE DISCLOSED OUTSIDE OF CONNECTOR MFG. CO. WITHOUT A CONFIDENTIALITY AGREEMENT



CONNECTOR MANUFACTURING CO.



HAMILTON, OHIO